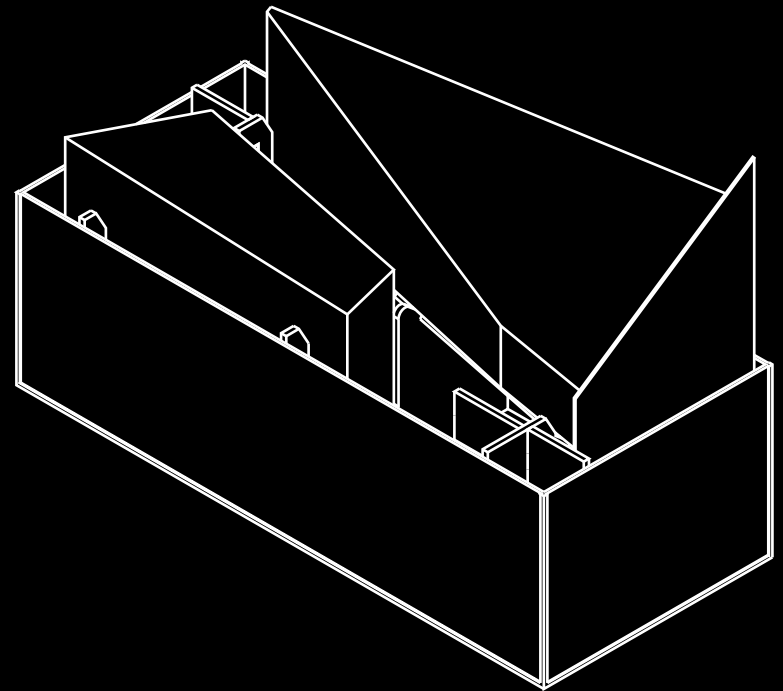
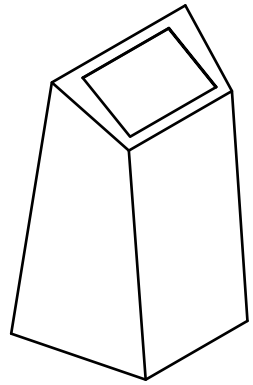


**LOCKHEED MARTIN**



**Model Viewer Packing  
Guide**

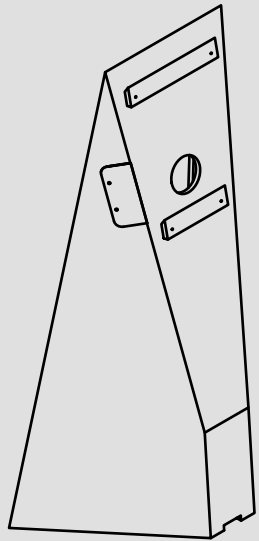




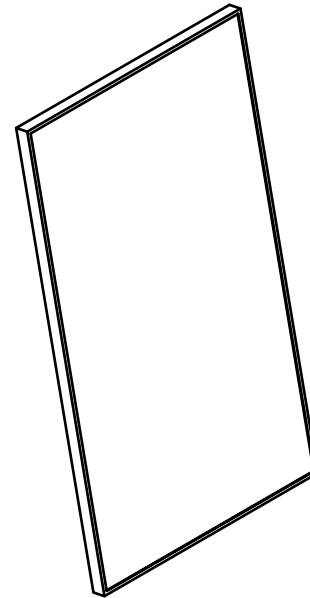
Touch Podium × 1



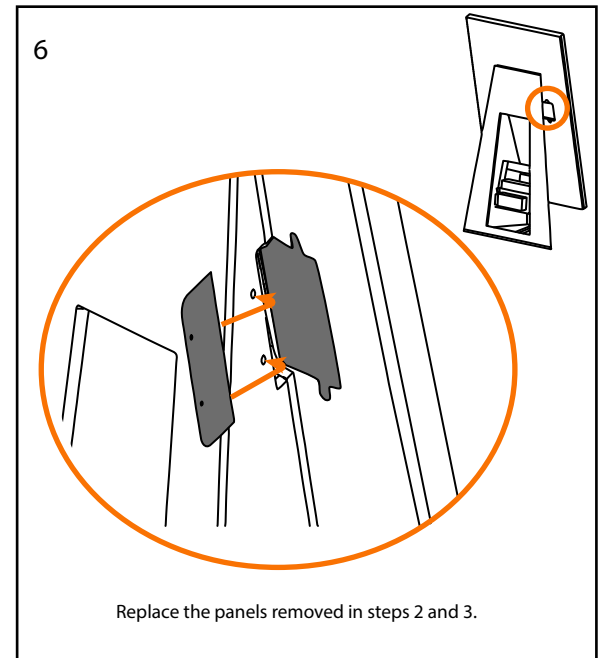
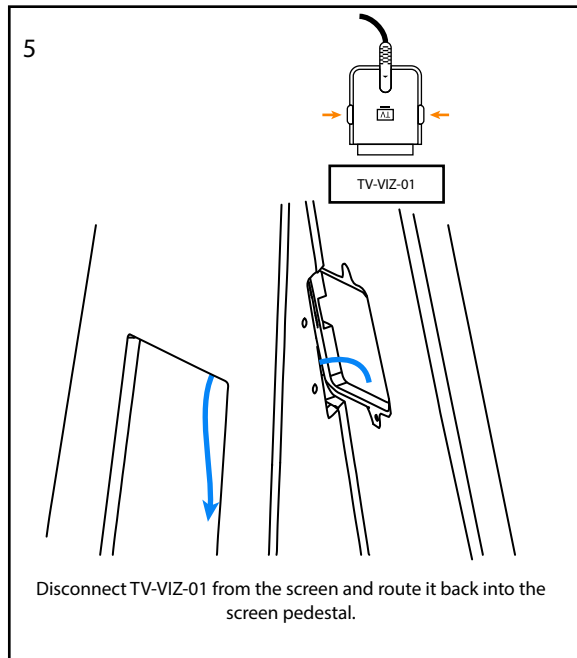
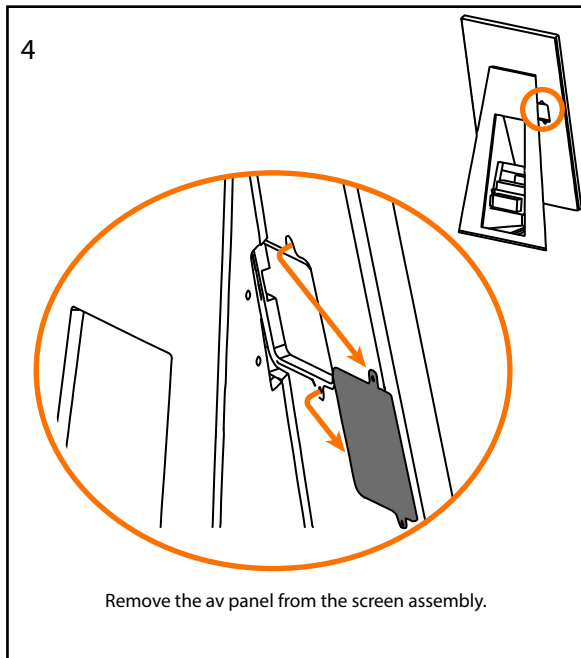
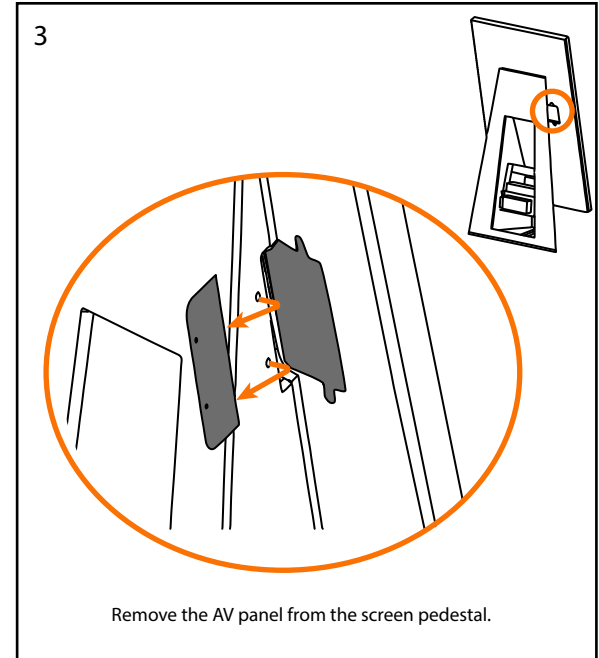
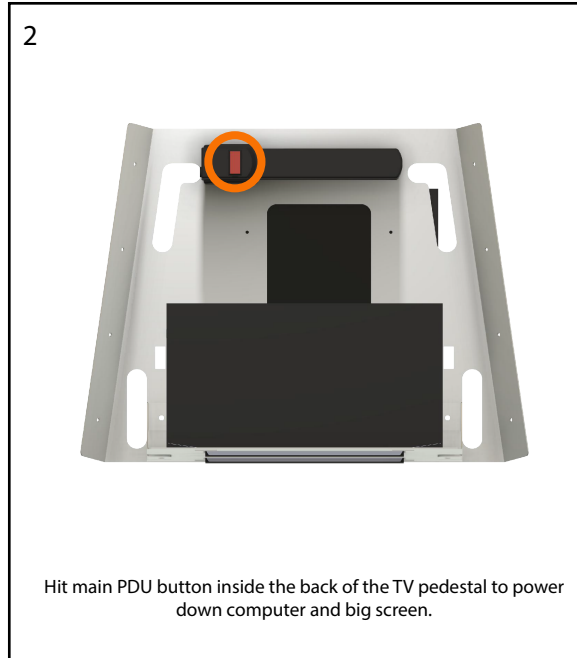
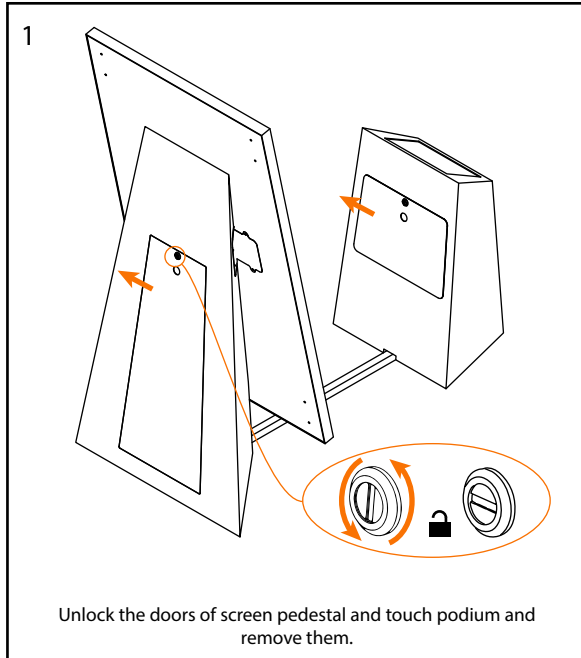
4' Cable Chase × 1



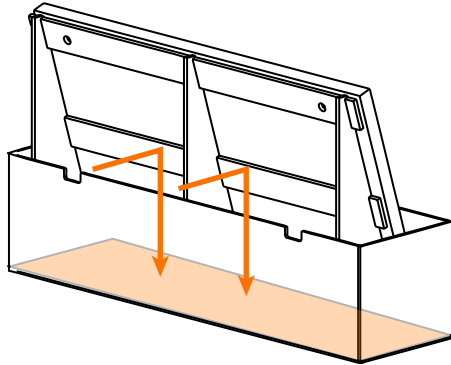
Screen Pedestal × 1



Screen Assembly × 1

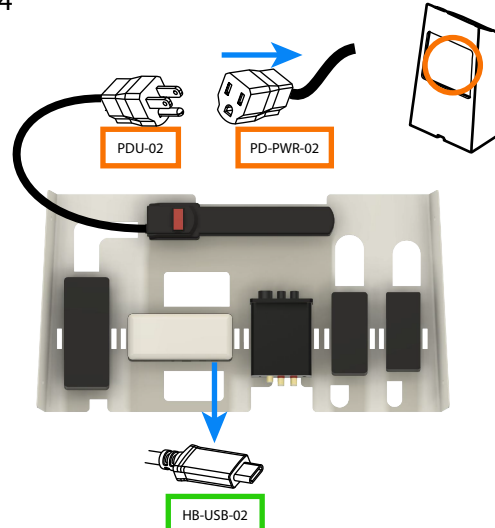


13



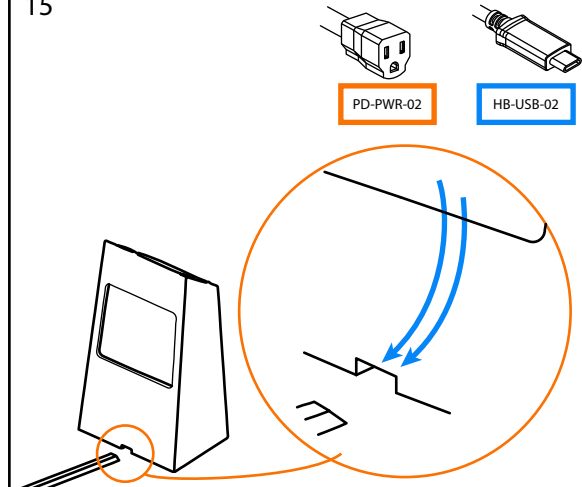
Remove the ballast weights from the screen pedestal and place them in the screen case as shown.

14



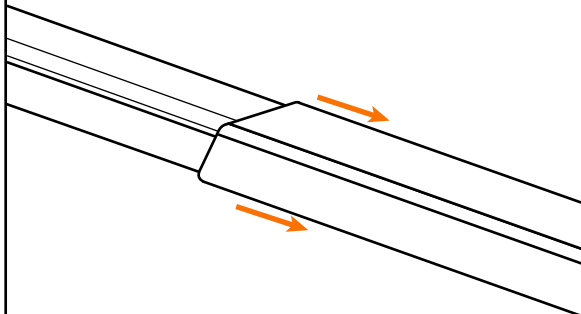
Disconnect the PDU-02 and HB-USB-02 cables from the touch podium.

15



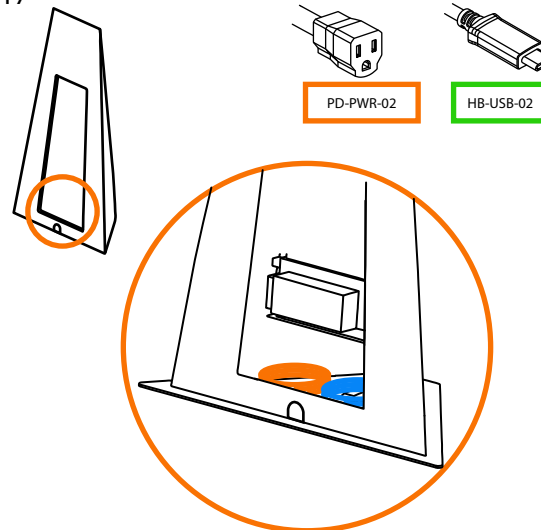
Pull the PDU-02 and HB-USB-02 cables out through the opening in the rear of the touch podium.

16



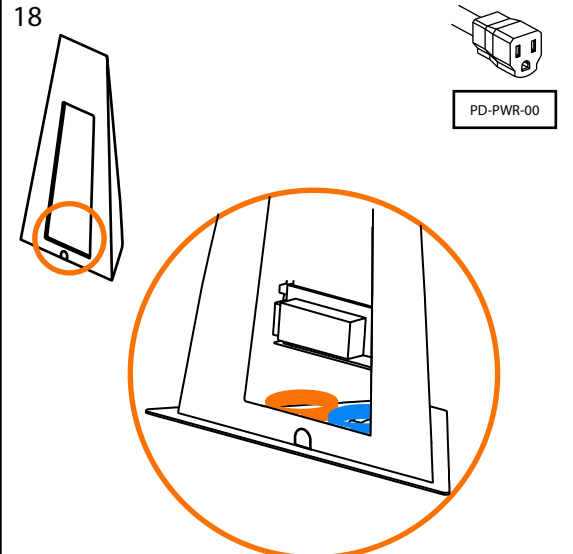
Remove the cover from the cable chase

17



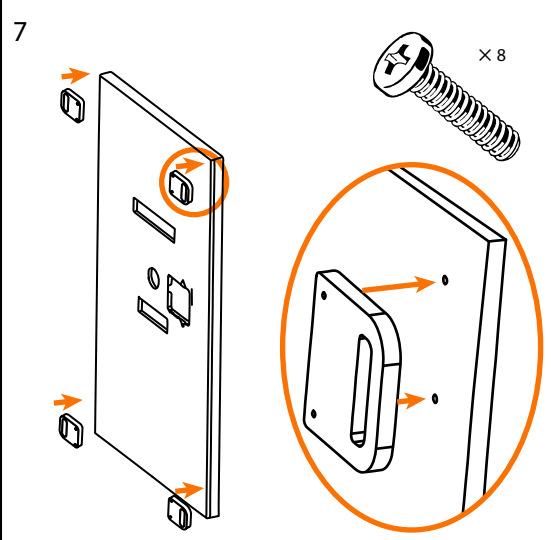
Pull the PDU-02 and HB-USB-02 cables back into the cavity of the screen pedestal and coil them.

18



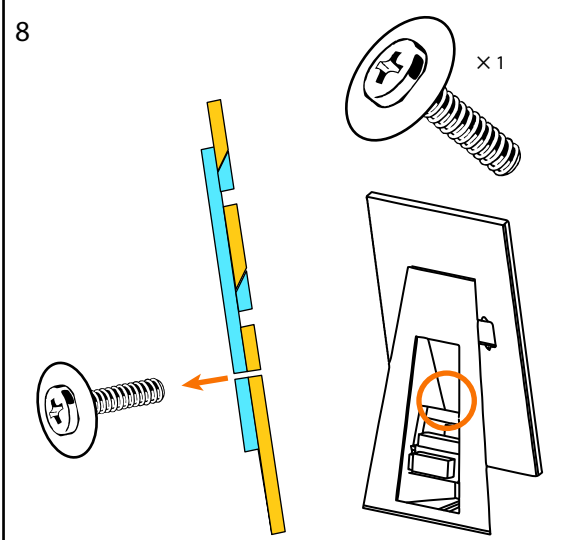
Pull the PD-PWR-00 extension cord out of the back of the screen pedestal, coil it, and place it in the pedestal road case.

7



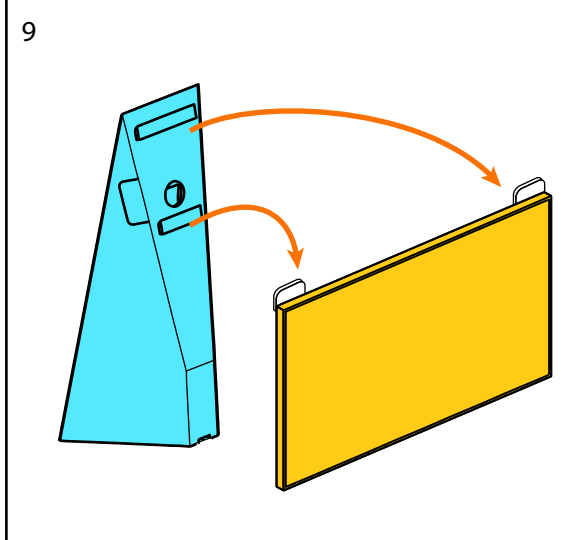
Remove the countersunk screws from the TV and replace them with the screen handles store the countersunk hardware in the labeled pouch.

8



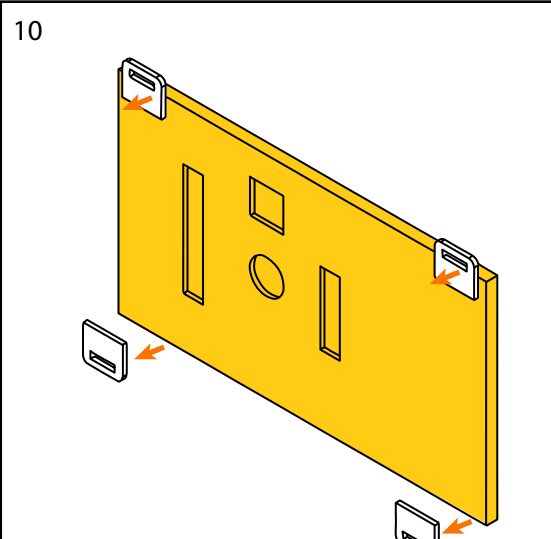
Remove the security screw from the Screen pedestal and store it in the labeled pouch.

9



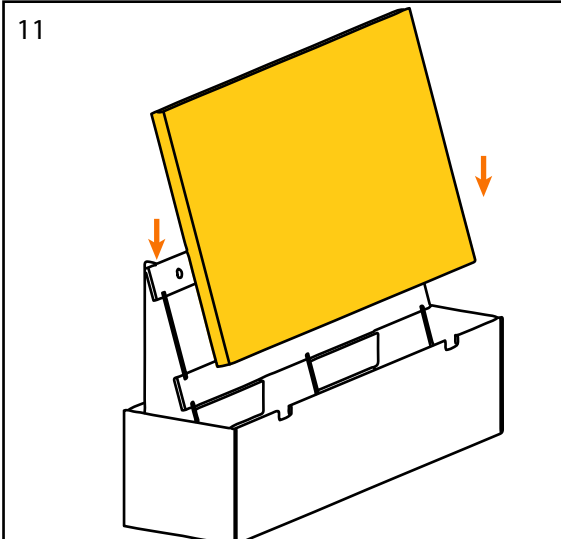
Lift the screen off the pedestal and set it on the ground in landscape orientation.

10



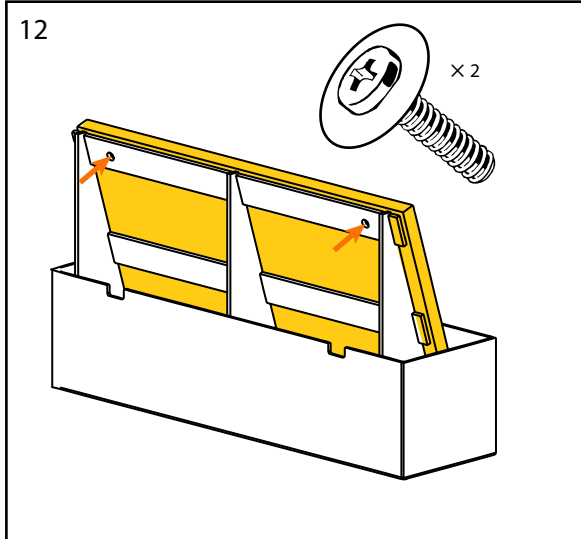
One at a time, remove the handles from the screen.

11



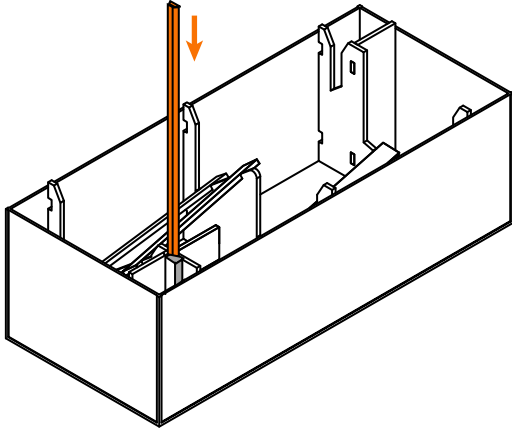
Place the screen in the screen roadcase so the back rests on the foam.

12



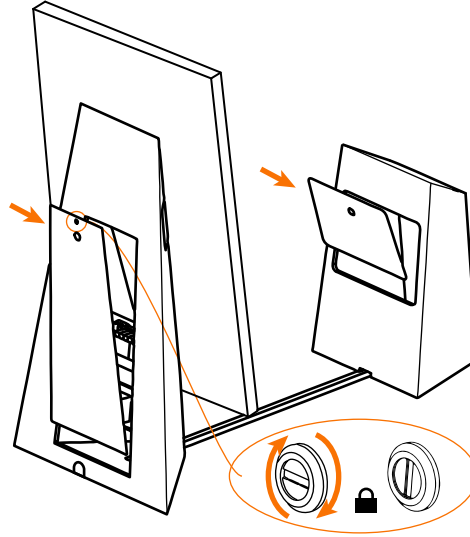
Secure the two security screws to the rear of the screen through the road case insert.

19



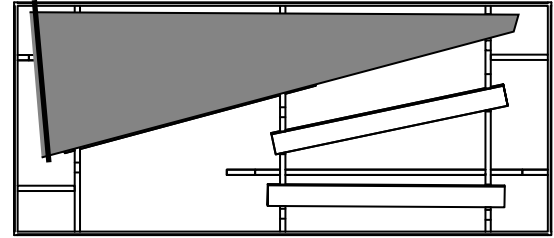
Install the cover on the cable chase and slide it into the pedestal case as shown

20



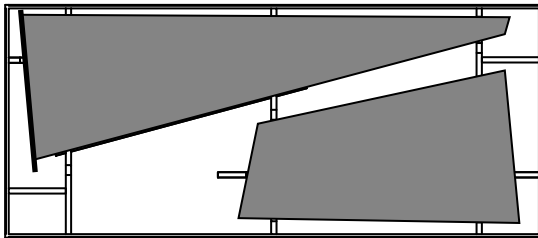
Place the doors on both pedestals and lock them

21



Place the screen pedestal in the road case as shown door facing out.

22



PLACE THE TOUCH PEDESTAL IN THE ROAD CASE AS SHOWN DOOR FACING OUT

23

**CLOSE BOTH ROAD CASES**

COMPLETE

FOR SUPPORT CONTACT [INFO@BRDG.CO](mailto:INFO@BRDG.CO)