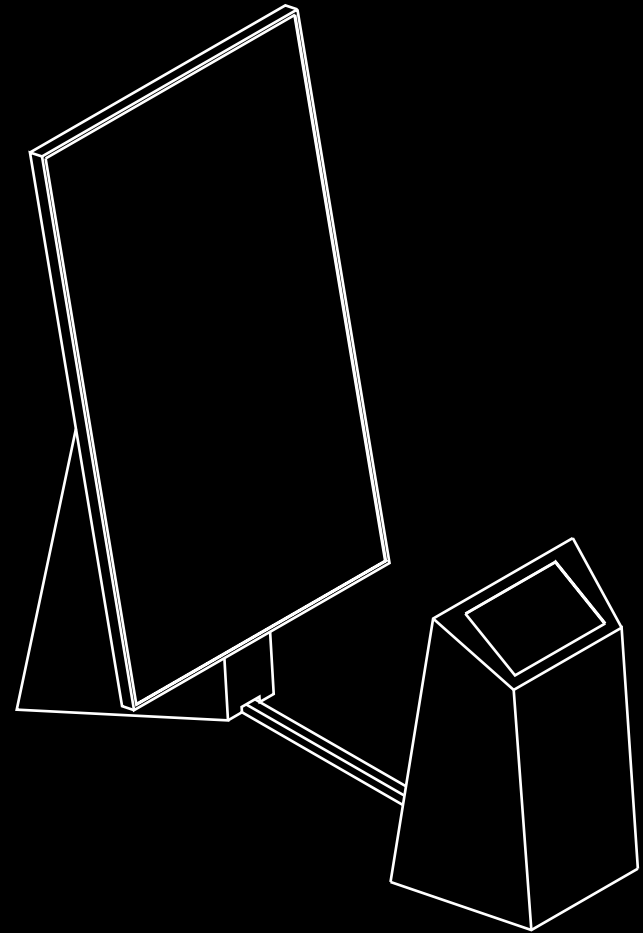
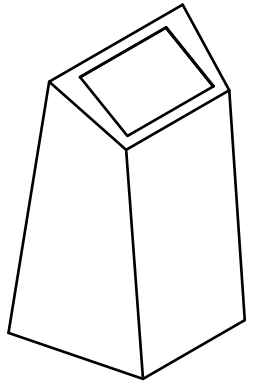


LOCKHEED MARTIN

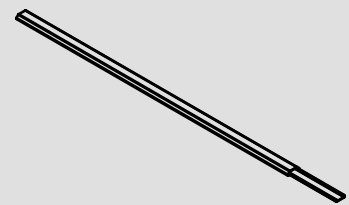


**Model Viewer Install
Guide**

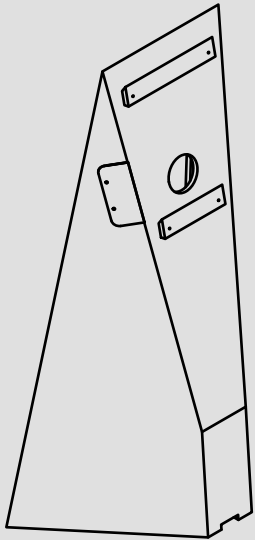




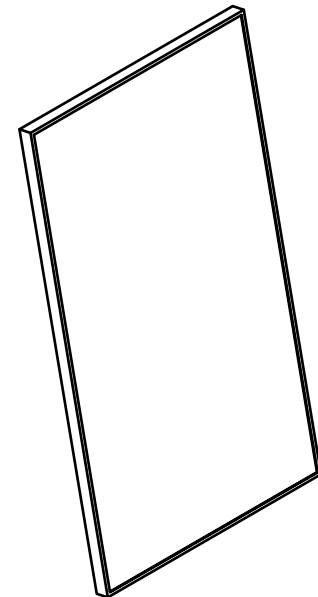
Touch Podium × 1



4' Cable Chase × 1

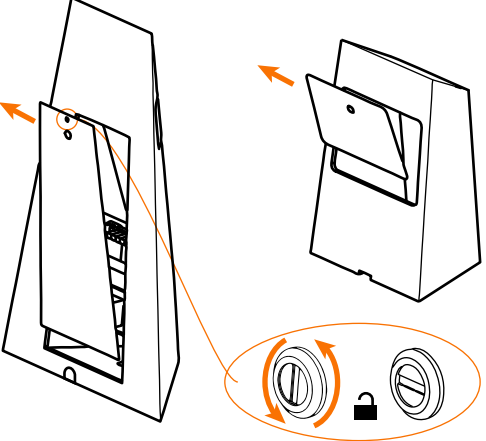


Screen Pedestal × 1



Screen Assembly × 1

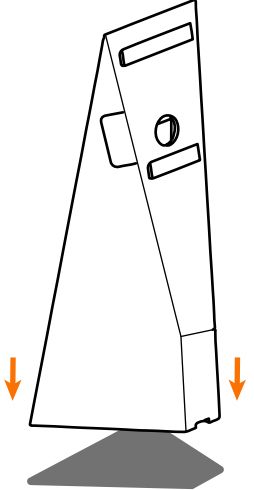
1



Unlock the doors on the screen pedestal and touch podium and remove them.
Unplug the two fans on the screen pedestal back panel where the barrel jacks meet.

Detailed description: This diagram shows the screen pedestal with its two doors being swung open. Below, a close-up shows two barrel jacks with their locking mechanisms being turned counter-clockwise to unlock them. A small icon of a fan is shown next to the jacks, indicating they should be unplugged.

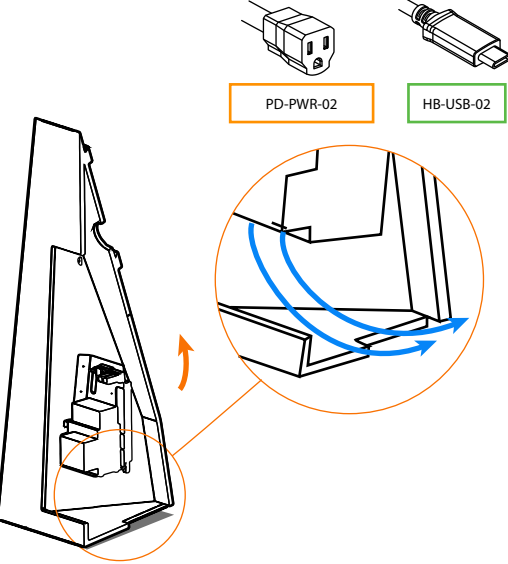
2



Place the screen pedestal in the desired location.

Detailed description: The diagram shows the screen pedestal being placed on a flat surface. Two orange arrows point downwards from the base of the pedestal to the surface, indicating the placement point.

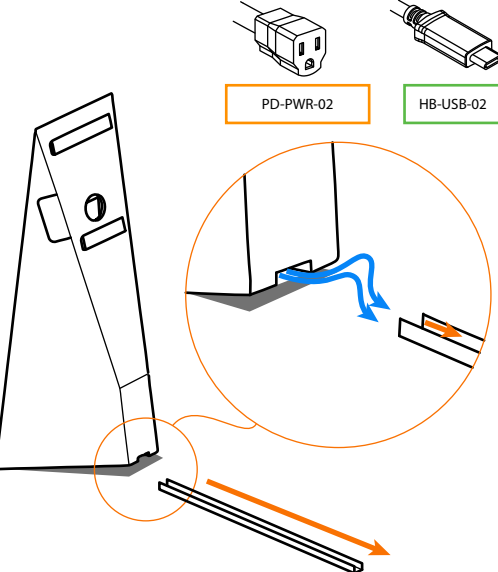
3



Tip the screen pedestal back and Route the USB and power cables out through the opening in the bottom front.

Detailed description: The diagram shows the screen pedestal tilted back. A circular inset shows a close-up of the bottom front opening where the PD-PWR-02 power cable and HB-USB-02 USB cable are being routed out. The cables are shown in blue, curving around the internal structure to exit through the opening.

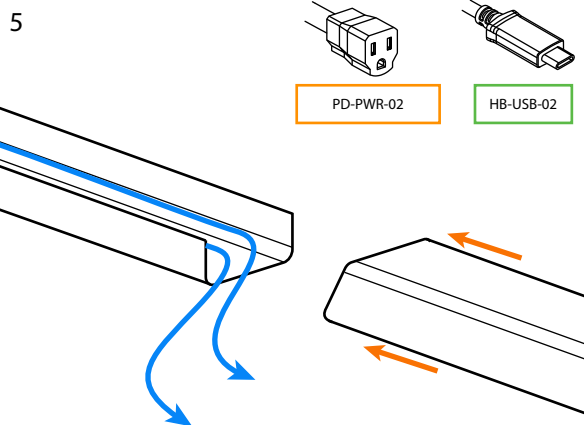
4



Run both cables out through the bottom of the cable chase.

Detailed description: This diagram shows the PD-PWR-02 and HB-USB-02 cables being fed through a narrow channel (the cable chase) at the bottom of the pedestal. A circular inset provides a closer view of the cables entering the chase from the side.

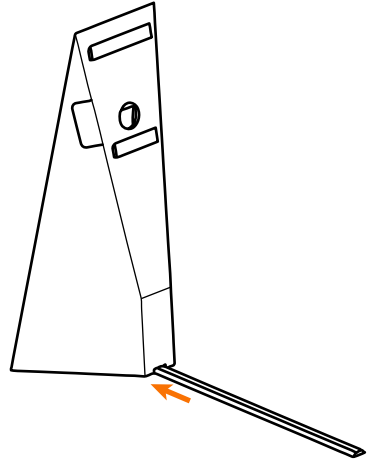
5



Install the cover on the cable chase.

Detailed description: The diagram shows a separate cover piece being aligned with the cable chase. Blue arrows indicate the cables are visible through the cover. Orange arrows show the cover being pushed into place.

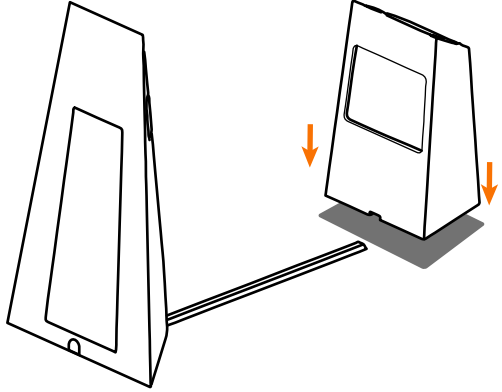
6



Insert the cable chase into the opening at the bottom front of the screen pedestal.

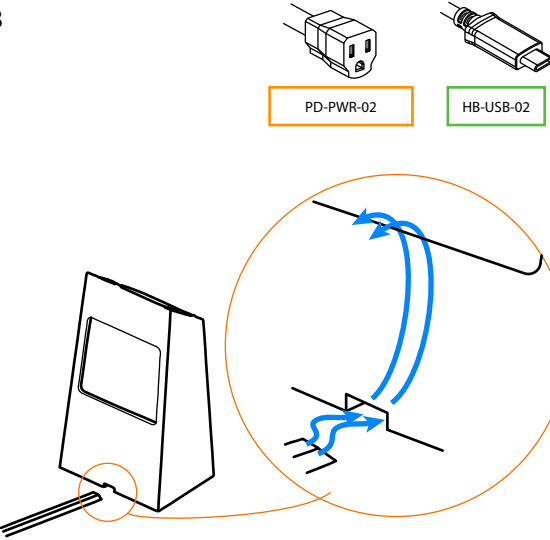
Detailed description: The diagram shows the cable chase assembly being inserted into the bottom front opening of the screen pedestal. Orange arrows indicate the direction of insertion.

7



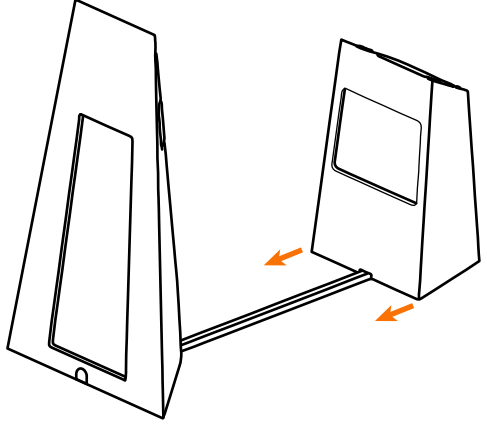
Set the touch podium past the other end of the cable chase.

8



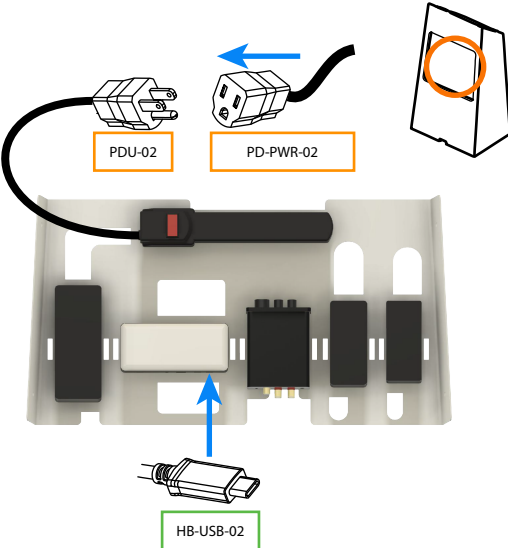
Route the cables from the cable chase into the bottom of the touch podium and out of the large opening.

9



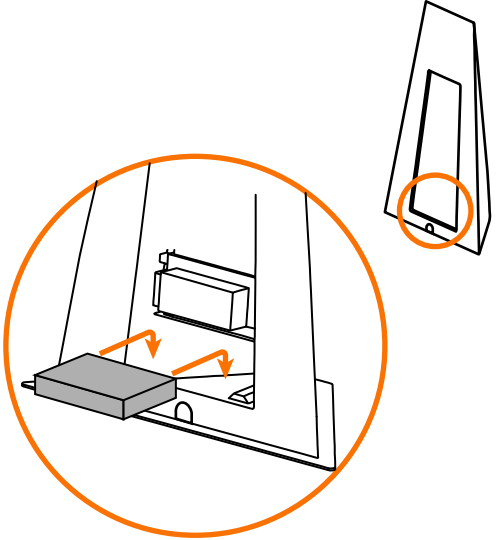
Slide the touch podium onto the cable chase and position it approximately 3' 6" from the screen.

10



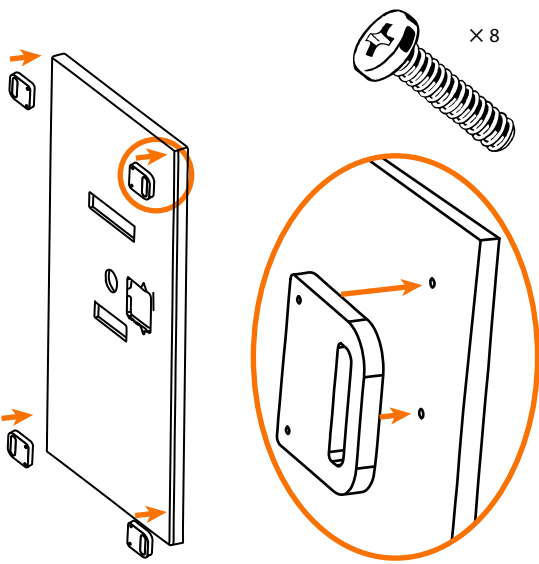
Connect the USB and power cables inside the touch pedestal as shown.

11



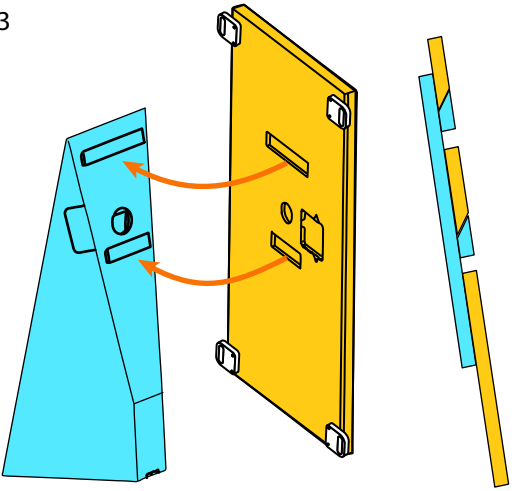
Set the ballast weights flat onto the floor of the screen pedestal. Be careful not to place them on top of and cables!

12



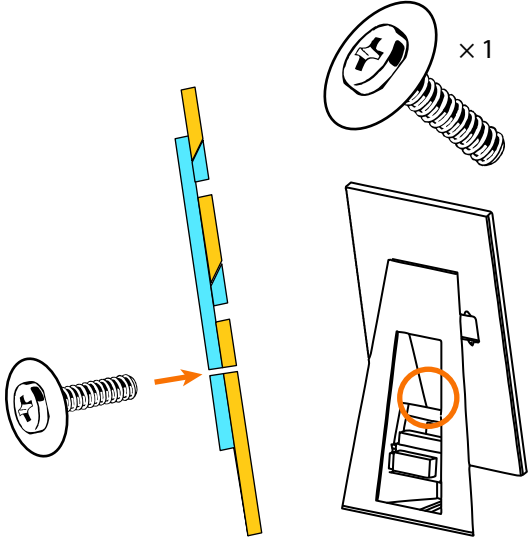
Use the provided 1.5" hardware to install the handles on the back of the screen assembly.

13



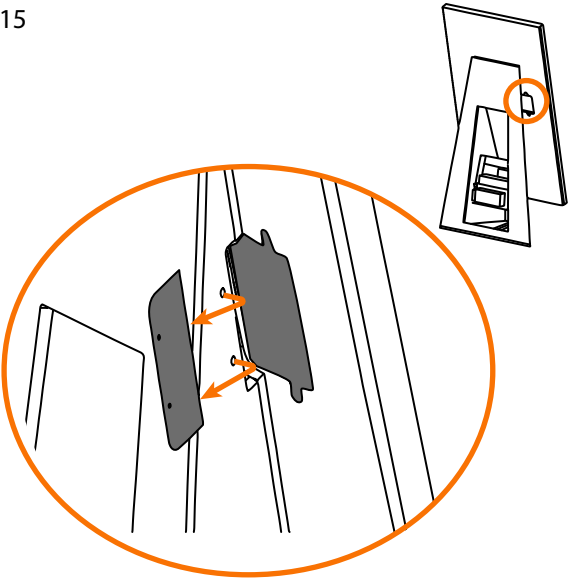
Align the long opening in the rear of the screen with the upper cleat of the screen pedestal and set the screen into place.

14



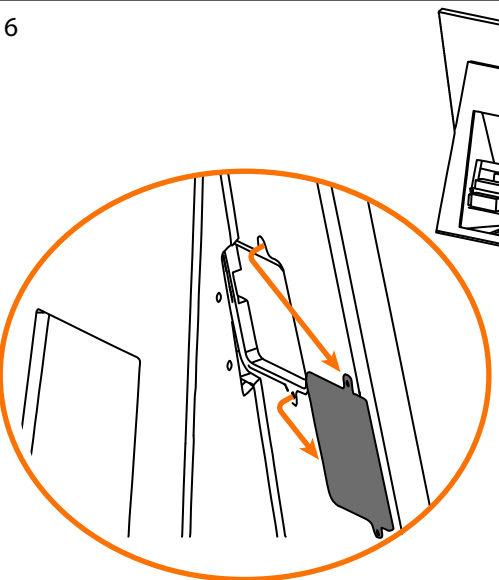
Install the 1.5" security screw in the rear of the screen pedestal.

15



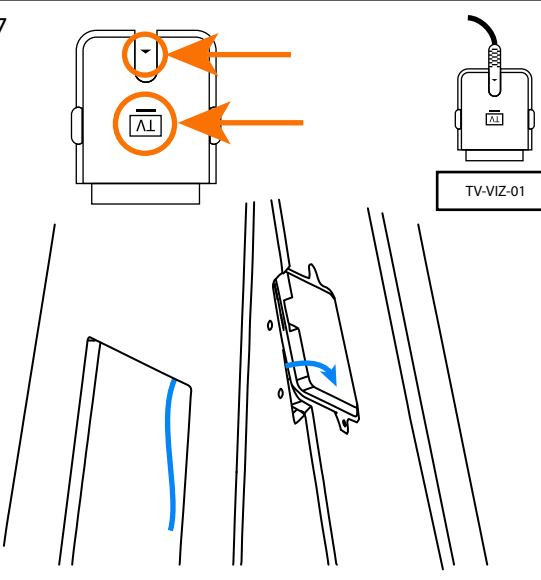
Remove the AV panel from the screen pedestal.

16



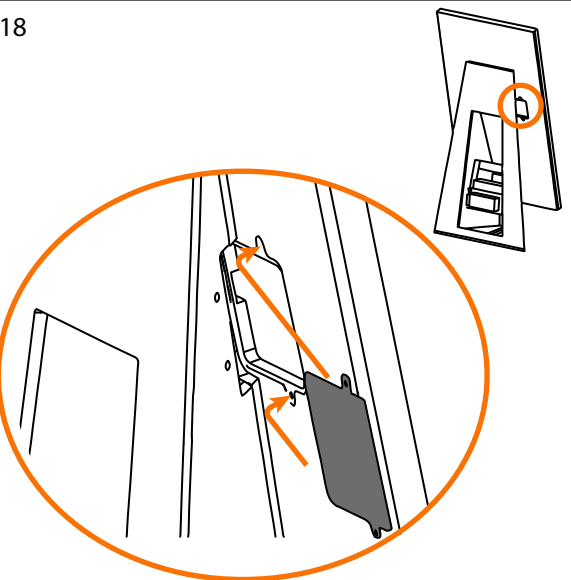
Remove the av panel from the screen assembly.

17



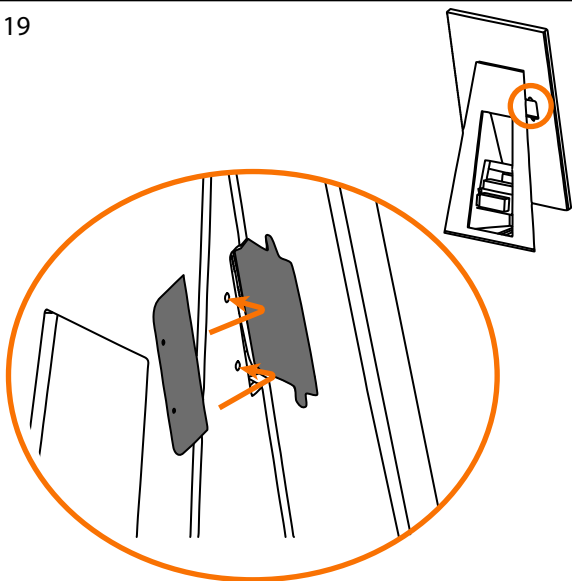
Plug the one connect cable into the screen so that you can see the arrow and tv icon on the plug.

18



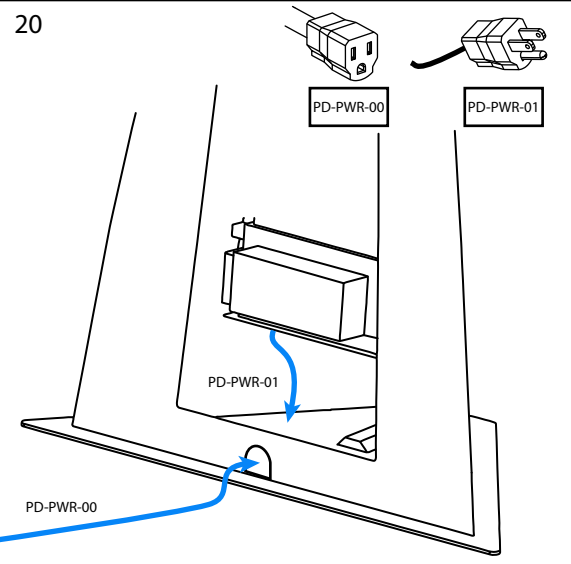
Reattach the AV panel from the screen assembly.

19



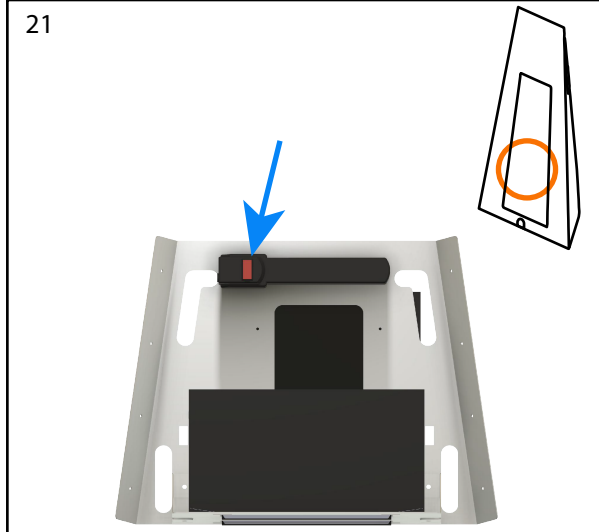
Reattach the AV panel to the screen pedestal.

20



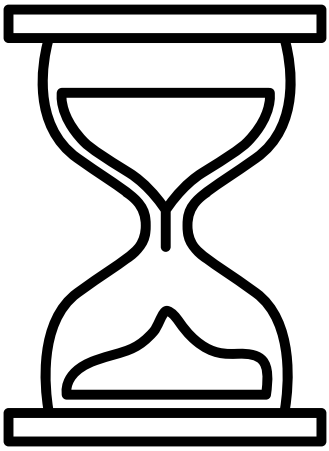
Route the extension cable (PD-PWR-00) into the unit through the mouse hole in the rear of the unit and connect it to PD-PWR-01. Connect the unit to external power via PD-PWR-00

21



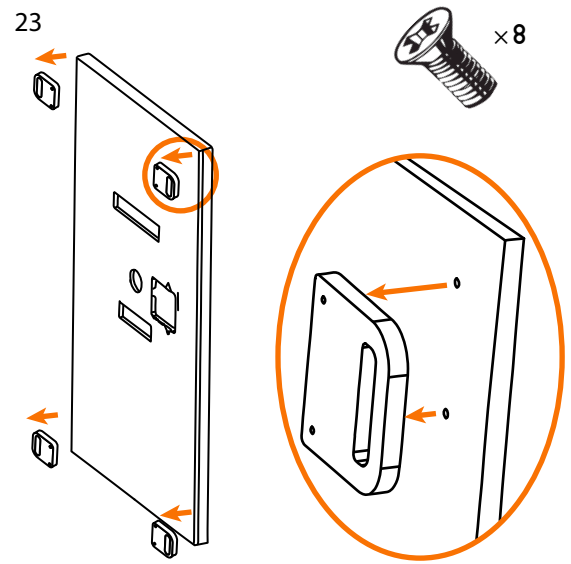
Turn on the power strip inside the screen pedestal.

22



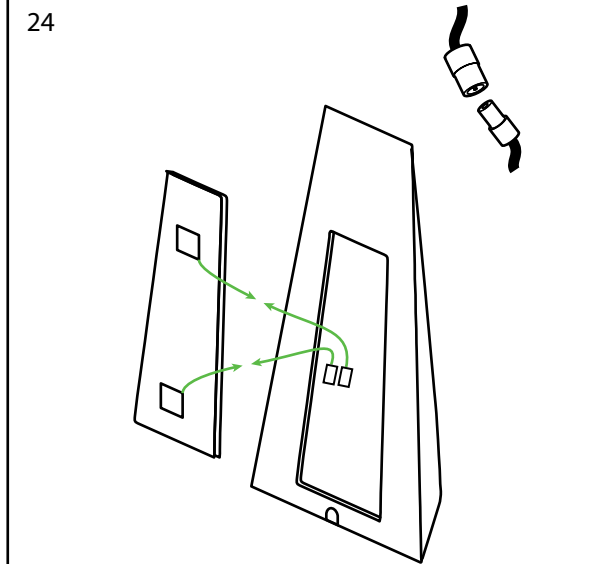
The unit should now power on. If the unit does not power on, see the troubleshooting guide.

23

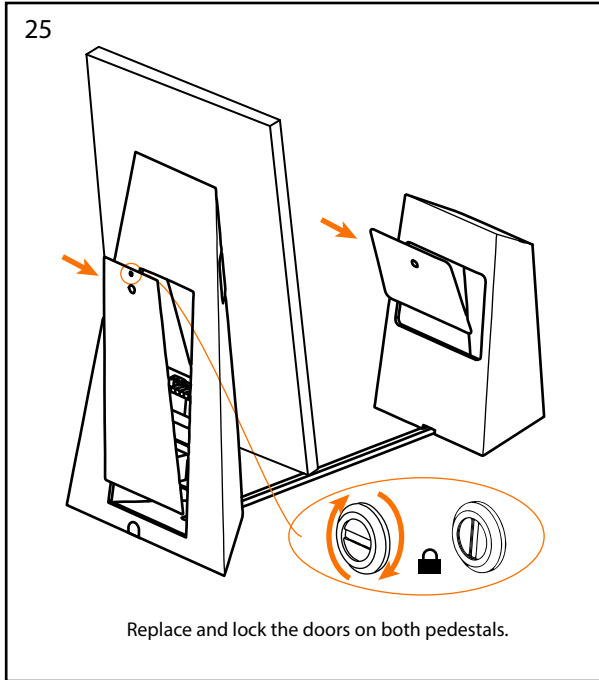


Remove the handles from the screen and plug handle holes with the provided countersunk screws.

24



Connect the fans on the screen pedestal to the power supplies with matching labels and set the power supplies to max power.



COMPLETE

FOR SUPPORT CONTACT INFO@BRDG.CO